



Safety relays Contact expansion module UE10-2FG

UE10-2FG3D0



Model Name > [UE10-2FG3D0](#)
Part No. > [1043916](#)

At a glance

- Ideal for applications with opto-electronic protective devices and safety controllers with OSSD outputs
- Fast response time of 10 ms
- Compact design
- 2 contact outputs
- Feedback signal for external device monitoring (EDM)
- Screw terminals or pluggable terminals

Your benefits

- Faster response times provide short safety distances
- Minimized required space in the control cabinet, solved by the small overall width
- Minimal wiring effort ensures fast and easy commissioning



Applications

Type of switching amplifier:	Contact expansion module
Emergency stop pushbuttons:	-
Safety switches:	-
Safety Switch with mechanical lock:	-
Two-hand control systems:	-
Pressure sensitive mats:	-
Opto-electronic protective devices:	✓
Opto-electronic protective devices without RES/EDM:	-
Opto-electronic protective devices with RES/EDM:	✓
System part:	Safety relays

Functions

Input circuit::	Single- or dual-channel
-----------------	-------------------------

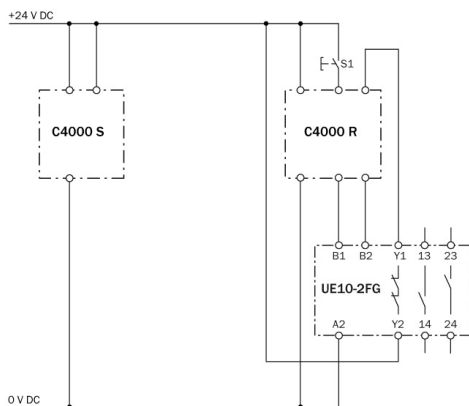
Technical data

Safety integrity level:	SIL3 (IEC 61508), SILCL3 (IEC 62061) ¹⁾
Category:	Category 4 (EN ISO 13849) ²⁾
Performance level:	PL e (EN ISO 13849) ³⁾
B10d parameter:	1*1E 05 switching cycles (AC-15, 230 V, I = 2 A) 2.5*1E 05 switching cycles (AC-15, 230 V, I = 1 A) 5.4*1E 05 switching cycles (DC-13, 24 V, I = 0.5 A) 1*1E 07 switching cycles (DC-13, 24 V, I ≤ 2 A)

PFHd:	1.05 * 1E-09
TM (mission time):	20 a
Width:	17.8 mm
Contact type:	Positively driven
Number of enable current contacts:	2
Number of signalling current contacts:	0
Maximum power consumption DC:	3.2 W
Type of output:	Relay contacts
Rated operating current (voltage):	3 A (230 V AC) 4 A (24 V DC)
Maximum switching current:	6 A
Mechanical life (relay contacts):	1*1E 07 switching cycles
Electrical life (relay contacts):	1*10E 05 switching cycles, dependent upon loading, details see operating instructions
Enclosure rating:	IP 20
Ambient operating temperature from ... to:	0 °C ... 55 °C
Connection type:	Plug-in terminals

1) 2) 3) If the feedback current path Y1 - Y2 (external device monitoring) is monitored using an appropriate main unit

Connection diagram



Dimensional drawing

